

Parts needed to mount the KOZUS-CR extrusion



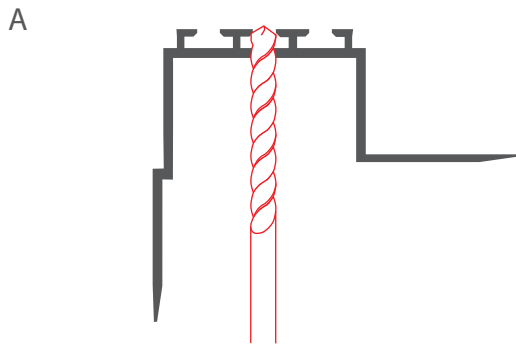
Tools needed for mounting:

- mounting adhesive

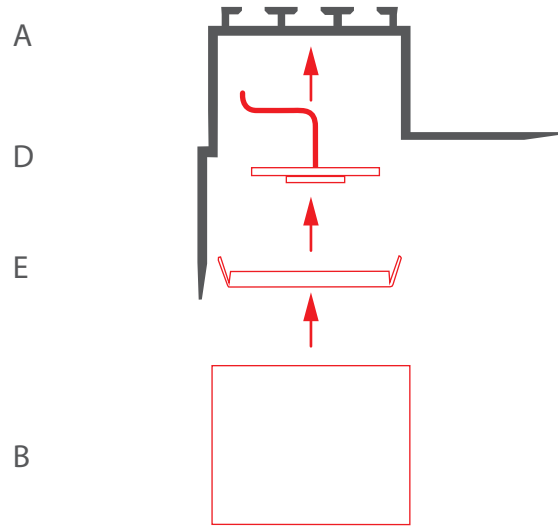
WARNING! All LED strips should be connected to a 12 V or 24 V power supply.

IMPORTANT: The mounting instructions present the basic form of assembly. More methods and related accessories can be found at www.KlusDesign.eu

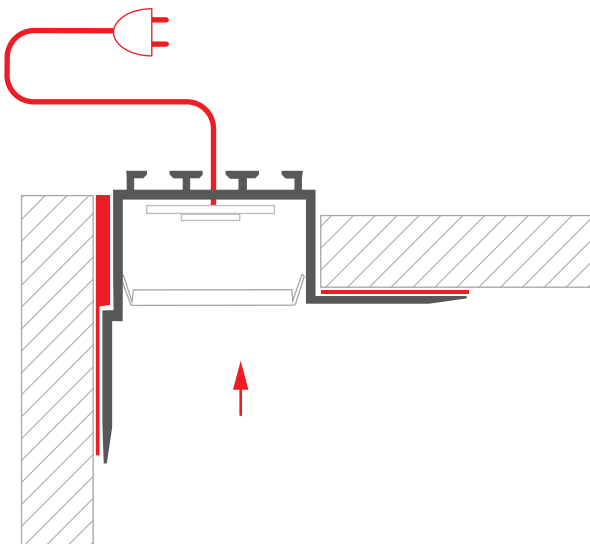
1. Drill a hole in the extrusion for the power cable.



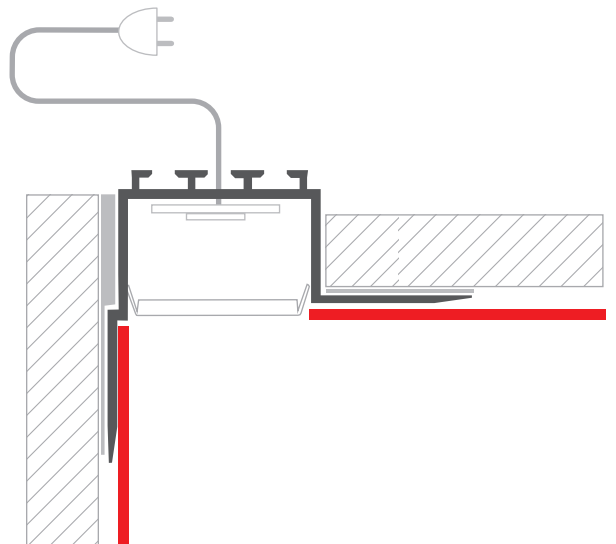
2. Mount the LED strip (D) in the extrusion, lead out the power cable, insert the technical cover (E) and then insert the end caps (B).



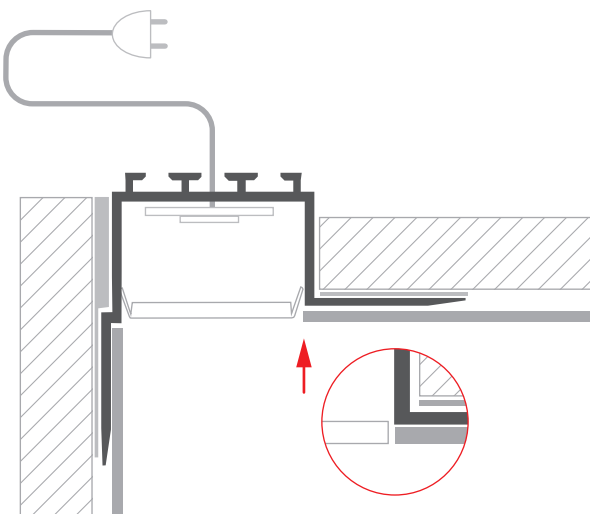
3. Glue the fixture to the wall and ceiling using the adhesive and attach the power cable to the power supply.



4. Apply a layer of plaster to the ceiling, wall and fixture, sand and paint the surface.



5. Slide a sharp tool between the extrusion and the cover (on both sides of the cover) to cut off the layer of plaster and paint from the cover.



6. Remove the technical cover (D) and insert the proper cover (C).

